

9 0 2 8

SIMPLY A SMARTER INVESTMENT



CLICK-IN, CLICK-OUT M6' INK CIRCUIT ■ ■ ■

Unique on the market, the 9028 will reduce downtime thanks to its automatic set-up features and its optimized consumable management system

THE SMARTEST INK CIRCUIT: M6'

At the heart of your 9028, you can change the **M6'** ink circuit in **less than six minutes** and **on your own**.

Simply click it into place and click it out. It's clean, easy and optimizes your operators' time.

SMART CONSUMABLE. NO SET-UP REQUIRED

With its **innovative cartridge** system design, you'll experience advanced consumable management.

It is **easy and ever so clean** while ensuring full compatibility with your other Markem-Imaje printers.

More uptime thanks to accurate consumable level display and efficient replacement without stopping your production.



PRINT BEYOND YOUR EXPECTATIONS

15% additive consumption reduction thanks to a newly designed hydraulic system.

Constant quality print

Cartridges are automatically adjusted thus printing parameters adjusted.

New line of high adhesion inks capable of coding on the most difficult substrates, including a **quick-drying MEK-free ink and permanent ink**.



RUN IT, ON YOUR OWN ■ ■ ■

Ease-of-use will improve your daily operations

INTUITIVE ONLINE GUIDANCE

Embedded online software helps **manage your coder daily, efficiently and on your own.**



EASY TO PRINT

Quickly create or upload your codes via the newly designed user interface and USB connection.



PLUG & PRINT, IMMEDIATELY ■ ■ ■

With its straightforward design, the 9028 is ready to print minutes after your purchase even in the harshest environments

BUILT TOUGH

Move it and install it anywhere according to your needs - even in harsh environments thanks to its robust IP55 fully stainless steel design.

FLEXIBILITY

Can be **easily stored** for weeks, and jet stability linked to start-up will remain perfect.

IMMEDIACY

Start-ups are simple and carried out in no time via the latest generation printhead cleaning system.



PRINT FEATURES

- ▶ Mono-jet printhead
- ▶ G head (printing resolution: 71 dpi)
- ▶ Up to 4 lines of print
- ▶ Print speed: up to 4.4 m/s
- ▶ Font height from 5 to 24 dots
- ▶ Character height: from 1.8 to 8.7 mm
- ▶ Wide choice of characters (Latin, Arabic, Cyrillic, Greek, Japanese, Chinese, Hebrew, Korean...)

OPERATIONS

- ▶ Message library (up to 100 messages)
- ▶ International operator/machine interface (choice of 31 languages)
- ▶ Large WYSIWYG backlit blue screen
- ▶ Integrated help for navigation and diagnostics
- ▶ Creation of logos directly on the operator/machine interface
- ▶ USB port
- ▶ M6' ink circuit
- ▶ Jet Speed Control guarantees marking quality
- ▶ Automatic selection of fonts, depending on print speed and printhead/object distance
- ▶ Possibility to choose ink types: quick-drying MEK-free and MEK, alcohol-based, color changing for sterilization process
- ▶ 2 sealed intelligent cartridges, 0.8 liter each
- ▶ Quick connect/disconnect of accessories (photocell, encoder, alarm)
- ▶ RS-232 connectivity

OTHER CHARACTERISTICS

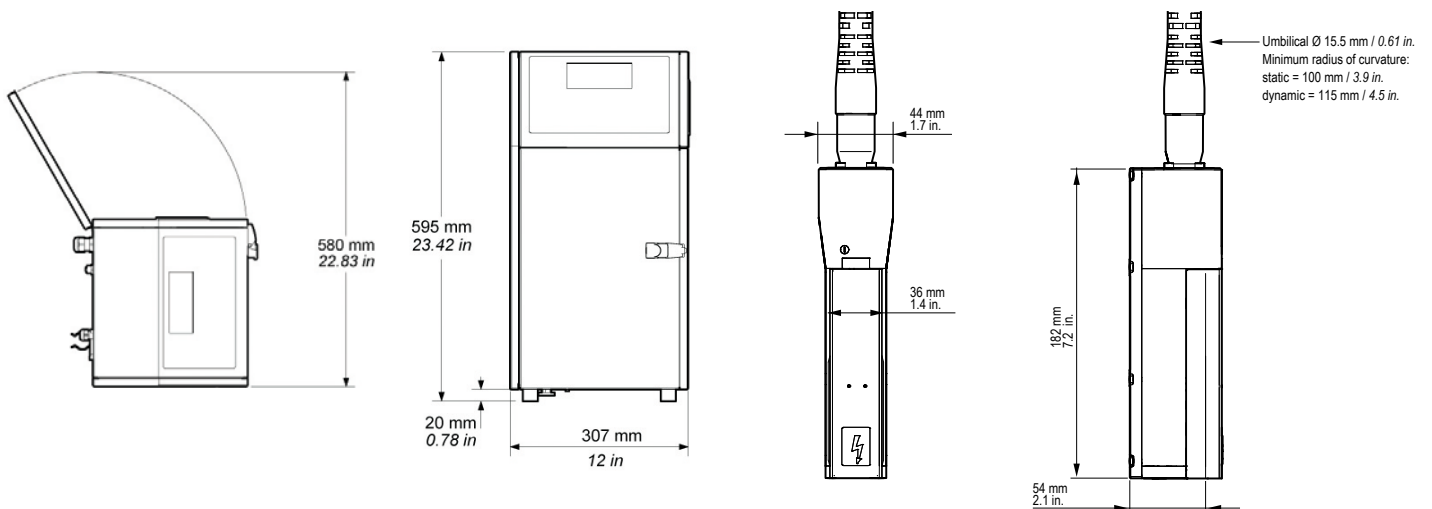
- ▶ Weight: 18.5 kg
- ▶ 2-meter flexible umbilical cable
- ▶ Stainless steel cabinet
- ▶ Dust/humidity protection rating: IP55 rating
- ▶ No plant air required
- ▶ Operating temperature range: 0° to 40°C, depending on ink used
- ▶ Humidity: 10% to 90% non-condensing
- ▶ Electrical power supply: 100 - 120 V or 200 - 240 V with automatic switching; frequency 50/60 Hz; power 34 W

OPTIONS

- ▶ One and two-dimensional barcodes (Datamatrix)
- ▶ Ethernet connectivity
- ▶ Printhead pressurization kit (plant air required)
- ▶ Autonomous pressurization kit (no plant air required)
- ▶ 3-meter umbilical

ACCESSORIES

- ▶ Printer supports: stands (stainless steel or aluminum), table or wall mounting bracket
- ▶ Stainless steel printhead cover
- ▶ Photocell
- ▶ Encoder
- ▶ Alarm beacon (24 V)



We reserve the right to amend the design and/or specifications of our products without notice.

Markem-Imaje
 Global Sales & Marketing Division
 9, rue Gaspard Monge
 B.P. 110
 26501 Bourg-lès-Valence Cedex - France
 Tel: +33 (0) 4 75 75 55 00
 Fax: +33 (0) 4 75 82 98 10



To learn more, visit www.markem-imaje.com

